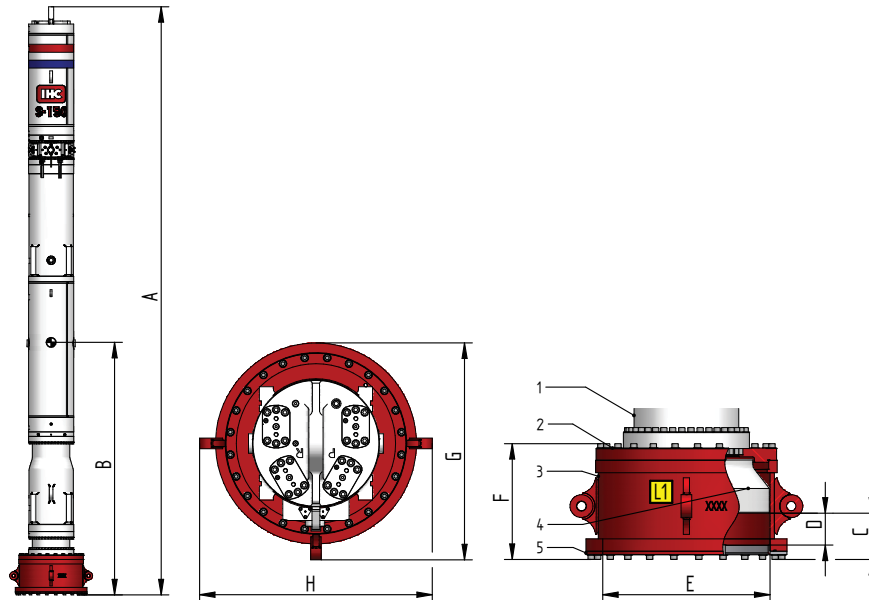


# Sleeve 36 inch

Application:  
**Hydrohammer® S-types anvil housing, pile guiding**

project sheet no. 4.0.110007  
 revision 0  
 date June, 2014  
 page 1/2  
 code no. 86 20 07 77



- Items**
- 1 Hydrohammer®
  - 2 Connection ring
  - 3 Anvil housing
  - 4 Anvil
  - 5 Pile guiding

**Main dimensions**

	A	B	C	D	E	F	G	H
<b>Description</b>	TRANSPORT LENGTH INCL. HYDROHAMMER	COG INCL. HYDROHAMMER	STICK-UP OF PILE	CLEARANCE ANVIL	MAX. PILE SIZE	TRANSPORT LENGTH SLEEVE	TRANSPORT HEIGHT	TRANSPORT WIDTH
<b>Unit</b>	[mm]	[mm]	[mm]	[mm]	[mm]	[mm]	[mm]	[mm]
<b>Hydrohammer® S-150</b>	9300	3993	262	180	945	655	1225	1315

<b>Pos. Lifting eyes</b>	<b>Working Load Limit [tons]</b>	<b>Hole diam. Ø [mm]</b>	<b>Thickness [mm]</b>
L1 (3x)	25	53	60

# Sleeve 36 inch

project sheet no. 4.0.110007  
 revision 0  
 date June, 2014  
 page 2/2  
 code no. 86 20 07 77

## Technical information

Maximum energy 150 kJ  
 Hydrohammer® ranges possible From S-30 up to S-280

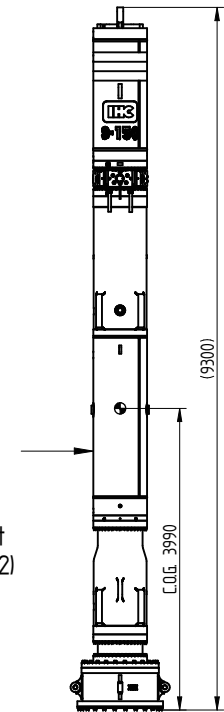
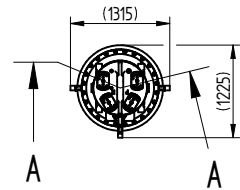
## Masses items in air [tons]

Anvil housing 0,55  
 Anvil 1,45  
 Pile guiding ring 0,0575  
 Miscelaneous 0,0175  
 Total [tons] 2,3

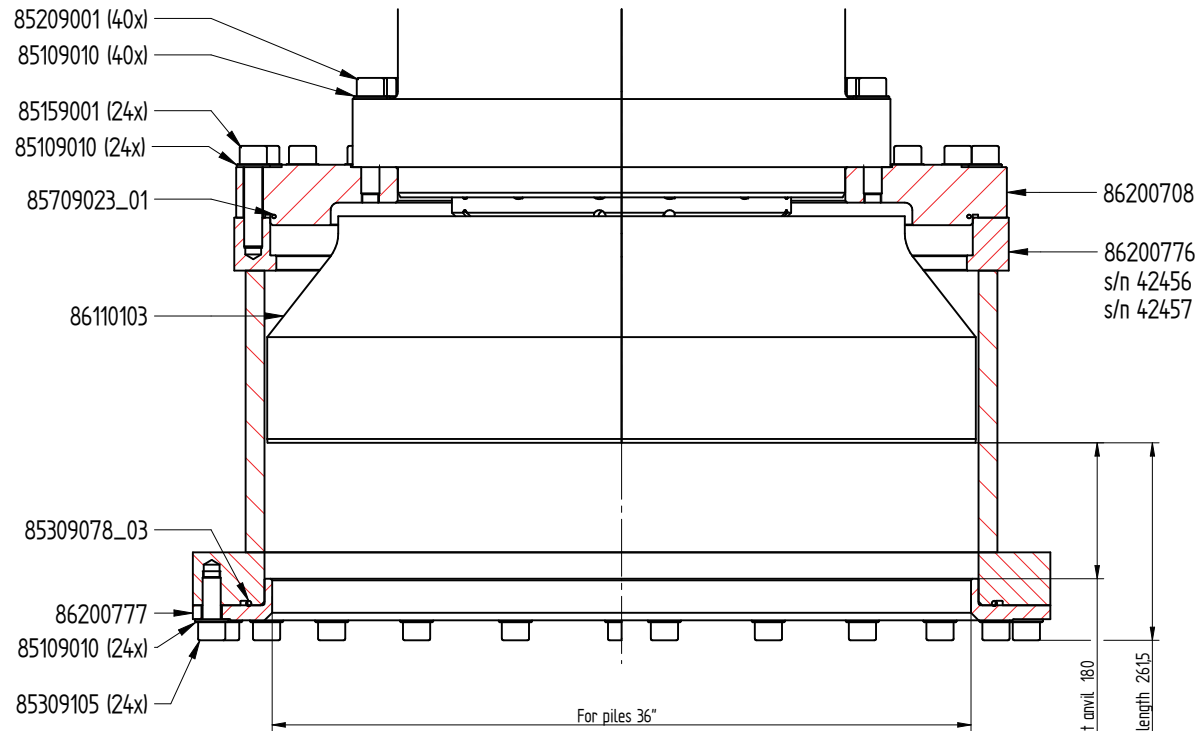
## Masses and properties

Description	Mass in air Incl. Hydrohammer®	Connection rings required
Unit	[tons]	
Hydrohammer® S-150	19	86200708

Revisions			
Issue	Description	Drawn	Checked

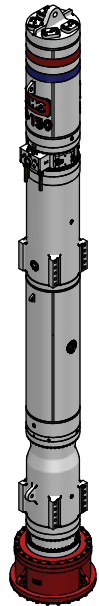


85190002\_DH  
s/n 110150B54  
s/n 110150B56  
conversion set  
-5m (85318802)



SECTION A-A  
1:5

Stick-up Length with different hydrohammers	
Hammer	Stick-up Length (mm)
S-30/40	280
S-70/90	280
S-120/150	2615
S-200/280	256,5



torque values for screws and bolts acc. to 85995001

Document Nr.	QTY	Subject	Dimensions
86200777	1	Pile guiding ring 36 inch	φ1135 x φ925 x 55
86200776	1	Anvil housing 36 inch (short)	1315 x 1225 x 513
86200708	1	Connection ring sleeve 36"	-Rand 1020 x 80
86110103	1	slagplaat	-φ938 L=300
85709023_01	1	O-ring	-φ915x5
85309105	24	Socket head screw	-DIN 912 M24x60
85309078_03	1	Rubber cord φ7	φ980 L=3080
85209001	40	Socket head screw	-DIN 912 M24x130
85190002_DH	1	Hydrohammer S-150	
85159001	24	Socket head screw	-DIN 912 M24x110
85109010	88	HW-ring	ISO 7416 φ 25

Copyright of IHC Merwede whose property this document remains. No part thereof may be disclosed, copied, duplicated or in any other way made use of except with the approval of IHC Merwede

Drawn: CBo Date: 13-05-2014

Checked: VvdG Date: 16-05-2014

Scale: 1:50

Welding:  
Welded constr. acc. EN 13920-B/F:1996  
Symbols acc. ANSI/AWS 2.4:2007

Machining:  
Tolerances acc. EN 22768-m/K:1993  
Form and position tol. acc. ISO 1101:2006  
Surface roughness acc. ISO 1302:2002

**IHC MERWEDE** IHC Hydrohammer B.V.

Title: S-150 + sleeve 36" (short)  
S-150 + sleeve 36" (kort)

Change Request:  
13498

With Ref. of:

Drawing no:  
P\_003896

Issue:  
-  
Size:  
A2

Sheet 1 of 1

RELEASED FOR PRODUCTION